

8339AXLSTN Baseball Controller Plate

Scoreboard Type: 500

Power Supply Outputs:

POWER 1 (Quad):

P1.1 ≈ .75A P1.2 ≈ 4.5A

P1.3 ≈ 4.2A P1.4 ≈ 4.2A

POWER 2 (Quad):

P2.1 ≈ 4.2A P2.2 ≈ 4.2A

P2.3 ≈ 4.2A P2.4 ≈ 4.2A

POWER 3 (Quad):

P3.1 ≈ 4.2A P3.2 ≈ 4.2A

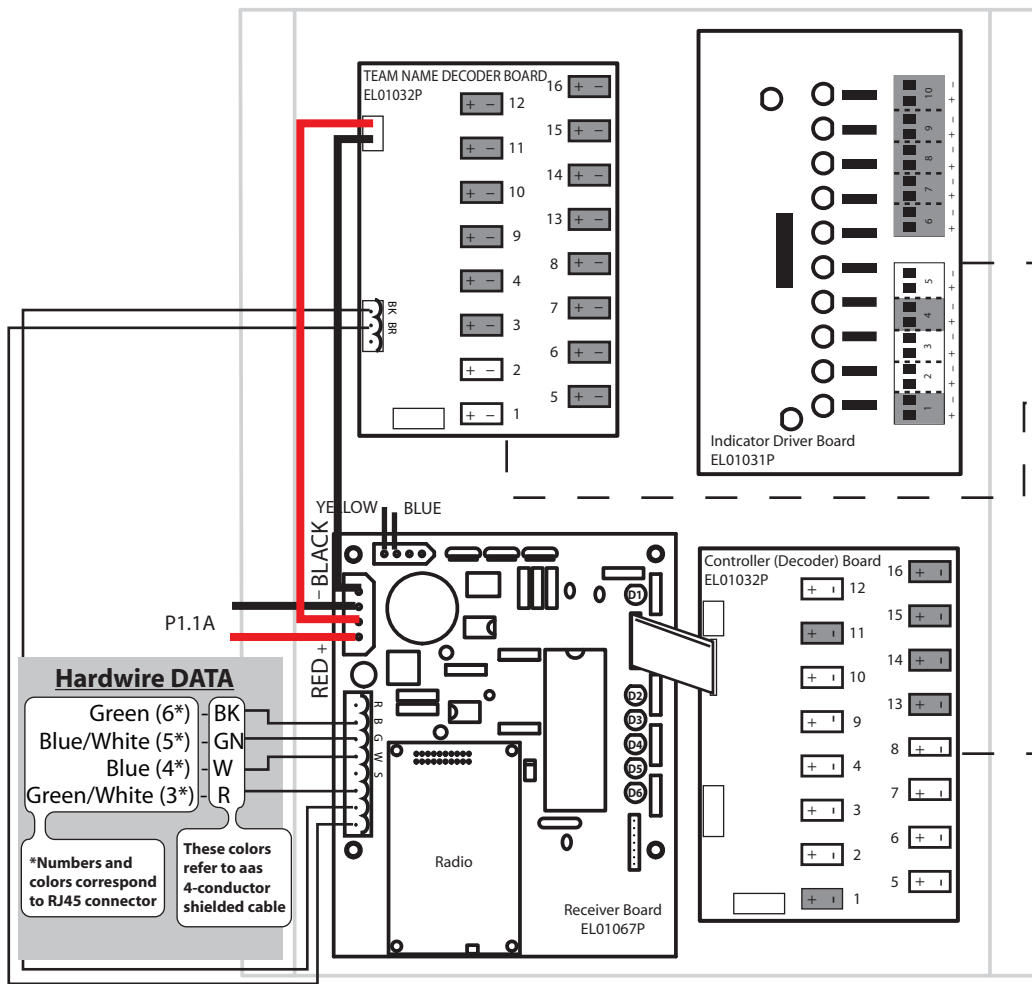
P3.3 ≈ 4.4A P3.4 ≈ 4.4A

POWER 4 (Quad):

P4.1 ≈ 2.8A P4.2 ≈ 3.99A

P4.3 ≈ 3.99A P4.4 ≈ 2.8A

"C" refers to controller board output. If Indicators are used, C4 data will go to the Indicator Driver Board and then to the digit(s).



INDICATOR OUTPUTS

- 2. 3rd Base
- 3. 1st Base
- 5. 2nd Base

NOT USED
1,4,6-10

TEAM NAMES

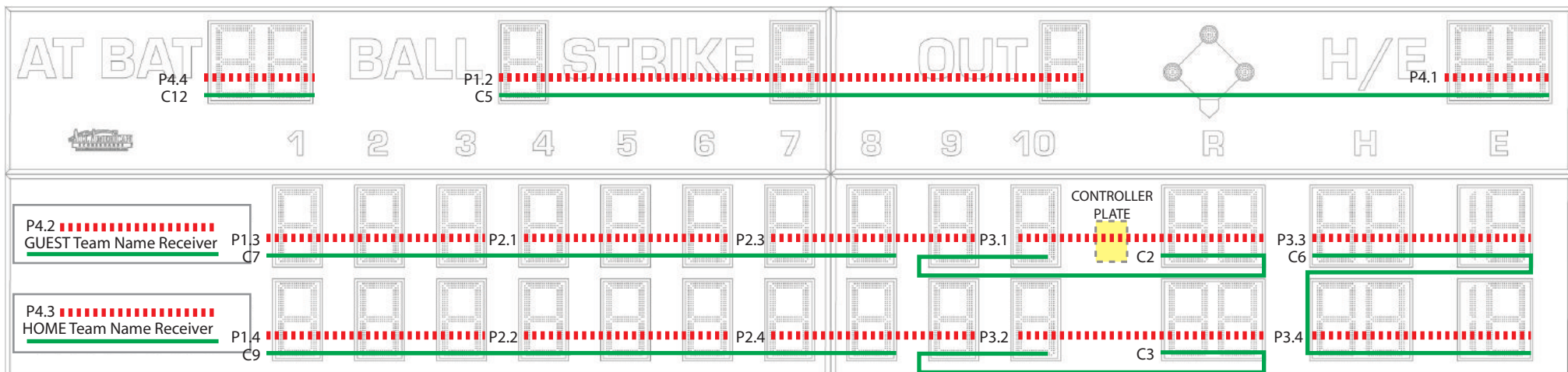
- 1. HOME
- 2. GUEST

NOT
USED
3-16

DIGIT OUTPUTS

- 2. Guest Runs, Inn 9,10
- 3. Home Runs, Inn 9,10
- 4. On Base Indicators
- 5. Ball, Strike, Out, Hit/Error
- 6. Guest Hits, Errors
Home Hits Errors
- 7. Guest Inn 1-8
- 9. Home Inn 1-8
- 12. At Bat

NOT USED: 1,11,13-16



All lower digits are 21" Amber. Top is 24" Amber. — = DATA - - - - - = 10.5VDC POWER

115 VAC / 60 Hz - 12 Amps